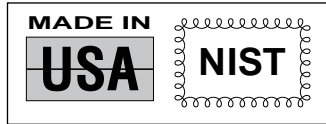


\$460
 Model LCGD-500
 Shown



SPEC SHEET
 LCGD

MINIATURE INDUSTRIAL LOAD CELL

LCGD Series Compression

0-25 lb to 0- 50,000 lb
0-100 N to 0-200 kN

1 Newton = 0.2248 lb
 1 daNewton = 10 Newtons
 1 lb = 454 g
 1 t = 1000 kg = 2204 lb

The OMEGADYNE™ LCGD Series miniature low profile load cells are compression load cells with excellent long term stability. An all stainless steel construction assures reliability in severe industrial environments.

These units are designed to operate by mounting on a flat surface and have a load button machined as an integral part of the basic load cell.

SPECIFICATIONS:

Excitation: 10 V ac/dc

Output: 2 mV/V nominal

Accuracy Class: 0.25%

Linearity: ±0.25% FSO

Hysteresis: ±0.20% FSO

Repeatability: ±0.10% FSO

Zero Balance: 2% FSO

Operating Temp Range:

-54° to 121°C (-65° to 250°F)

Compensated Temp Range:

+16° to 71°C (+60° to 160°F)

Thermal Effects: Span: ±0.01% of

Rdg/°F: Zero: ±0.005% of FSO/°F

Safe Overload: 150% of Capacity

Ultimate Overload: 300% of Capacity

Bridge Resistance: 350 ohms Nominal

Construction: Stainless Steel

Electrical Connection: 5 ft. (1.5 m)

Teflon Insulated Shielded Cable

**For Sales and Service
 In U.S.A. and Canada**

1-800-872-3963SM
1-800-USA-DYNE

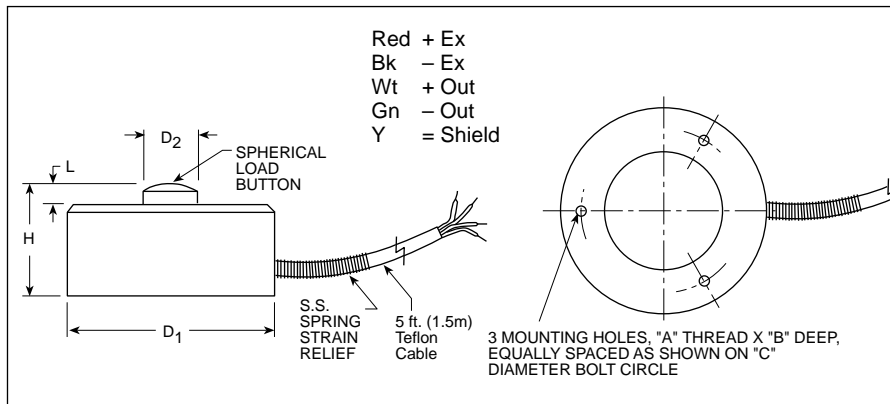
International Customers Dial
(614) 965-9340
 24-Hour FAX (614) 965-9438

OMEGADYNESM FAX
 OMEGADYNE's 24-Hour
 On-Line Publishing Service
1-800-344-3963SM
1-800-DIG-DYNE
 Document # 3611

OMEGADYNE, Inc.
 149 Stelzer Court, Sunbury, OH 43074
<http://www.omegadyne.com>
 e-mail: info@omegadyne.com

Formerly
THI T-HYDRONICS, INC.

© COPYRIGHT 1996 OMEGADYNE, INC. ALL RIGHTS RESERVED.



Dimensions Shown in Inches (mm)

RANGES	D1	D2	H	L	A	B	C
25 to 100 lb.	1.00 (25.4)	.21 (5.3)	.62 (15.7)	.05 (1.27)	#4-40 UNC	.22 (5.59)	.75 (19.05)
250 to 2000 lb.	1.25 (31.8)	.32 (8.1)	.39 (9.9)	.07 (1.78)	#6-32 UNC	.25 (6.35)	1.00 (25.4)
5,000 to 10,000 lb.	1.50 (38.1)	.43 (10.9)	.63 (16)	.08 (2.03)	#6-32 UNC	.25 (6.35)	1.25 (31.8)
50,000 lb.	3.00 (76.2)	.78 (19.8)	1.50 (38.1)	.18 (4.57)	#6-32 UNC	.25 (6.35)	2.375 (60.33)

► Most Popular Models Highlighted ◀

Prices Shown in U.S. Dollars

To Order: (Specify Model Number)			
Capacity (lb)	Model Number	Price	Compatible Meters
0-25	LCGD-25	\$590	INFW, INFS, INFCS
0-50	LCGD-50	590	INFW, INFS, INFCS
0-100	LCGD-100	590	INFW, INFS, INFCS
0-250	LCGD-250	490	INFW, INFS, INFCS
0-500	LCGD-500	460	INFW, INFS, INFCS
0-1,000	LCGD-1K	460	INFW, INFS, INFCS
0-2,000	LCGD-2K	460	INFW, INFS, INFCS
0-5,000	LCGD-5K	525	INFW, INFS, INFCS
0-10,000	LCGD-10K	525	INFW, INFS, INFCS
0-50,000	LCGD-50K	695	INFW, INFS, INFCS

Metric Ranges Available—Consult Engineering.

Ordering Examples: 1.) LCGD-5K is a 5,000 lb capacity load cell, \$525.
 2.) LCGD-25 is a 25 lb capacity load cell, \$590.

Printed On Recycled Paper

